

## PrismJET VJ and Mutoh ValueJet Printing Technology

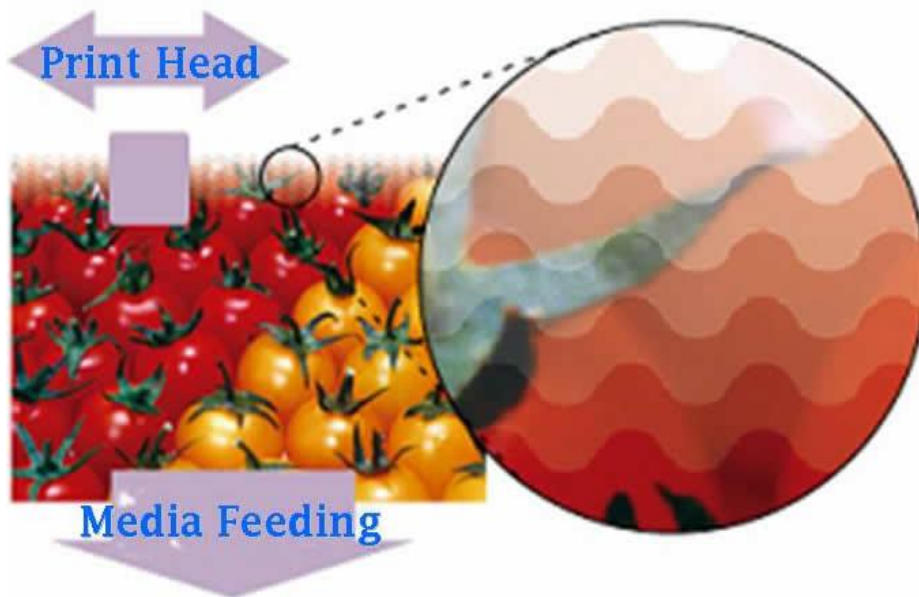
The PrismJET V and Mutoh ValueJet features best in class quality and productivity, reasonable pricing, compact design, and is environmentally conscious.

Technologies include:

- Epson Print Head
  - 1440 nozzle (180 nozzle x 8 line)
- Sub Bag (Tank) System
  - For PrismJet V 64" or Mutoh ValueJet 1604
- Intelligent Interweave Print

Three ways the PrismJET VJ or Mutoh ValueJet ensures image quality

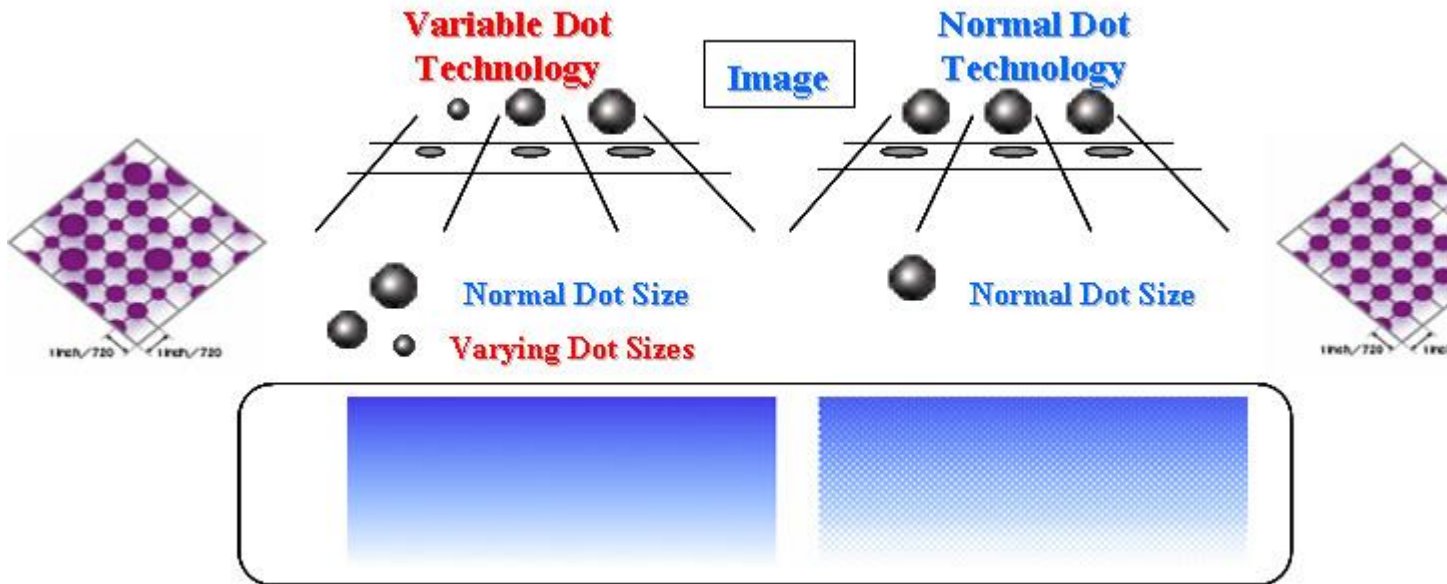
### Intelligent Interweave Print



The ValueJet lays down ink using an interweaving pattern virtually eliminates horizontal banding typically associated with Bi-D printing and enriches colors.

\*The printing speed differs from that of normal printing technique.

## Variable Dot Technology



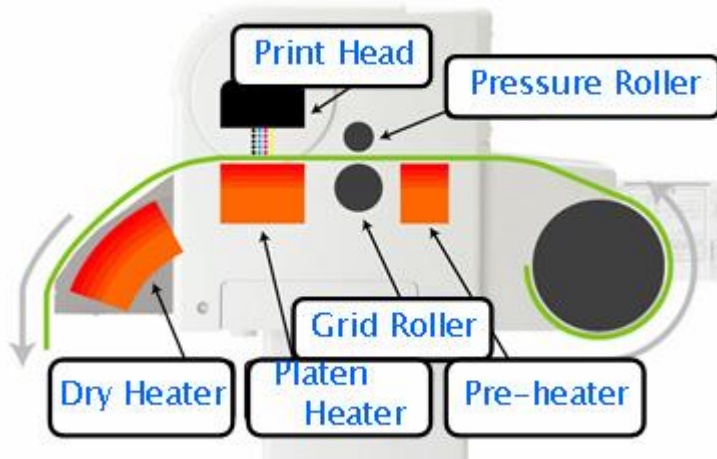
Droplets of varying size (large, medium, small) deliver naturally smooth and dot-free toned graphics.

## Three Way Heater

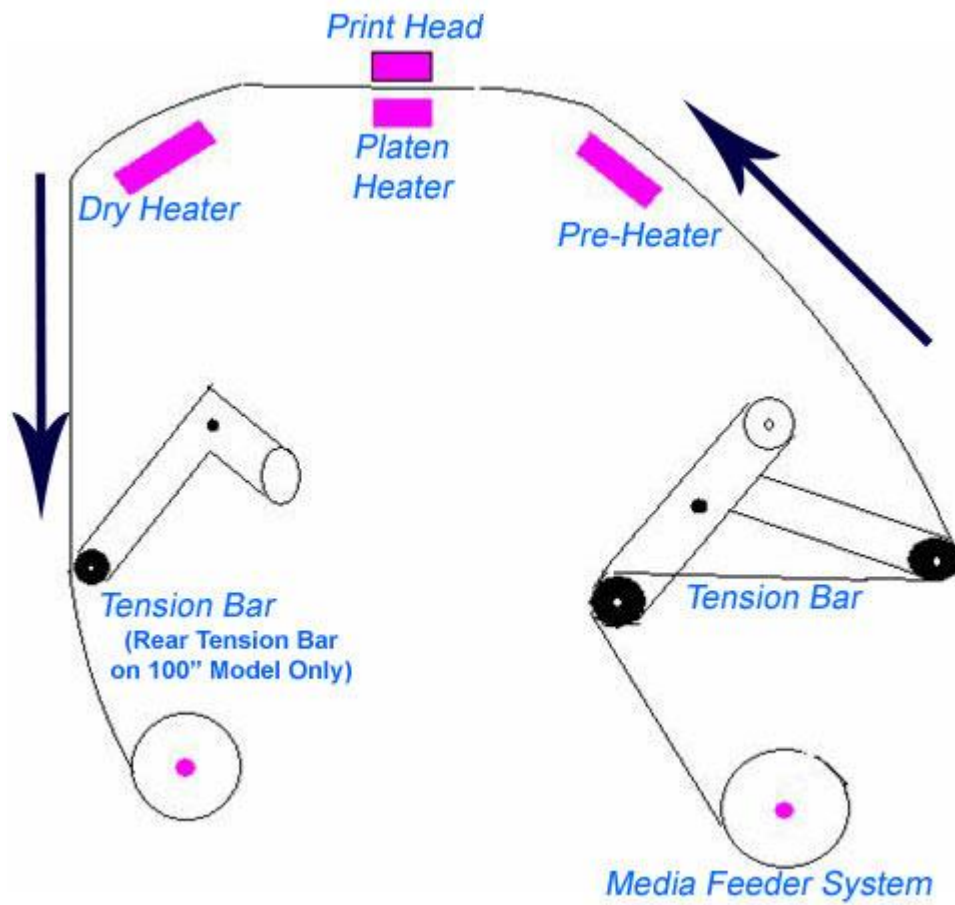
Three individually controlled heaters

- Pre-Heater (30 - 50°) under the rear paper guide for media smoothing
- Platen Heater (30 - 50°) under the heads for dot fixation and dot gain control
- Dry Heater (30 - 50°) under the front paper guide for post fixation and optimum media drying

PrismJet VJ 48"

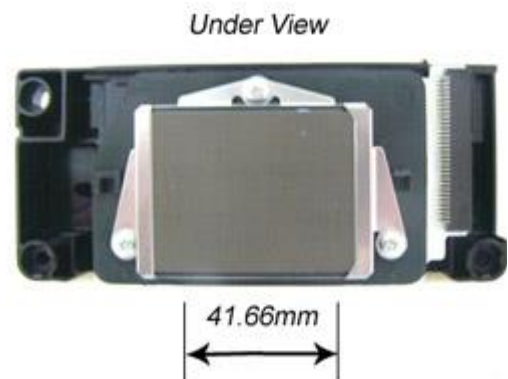


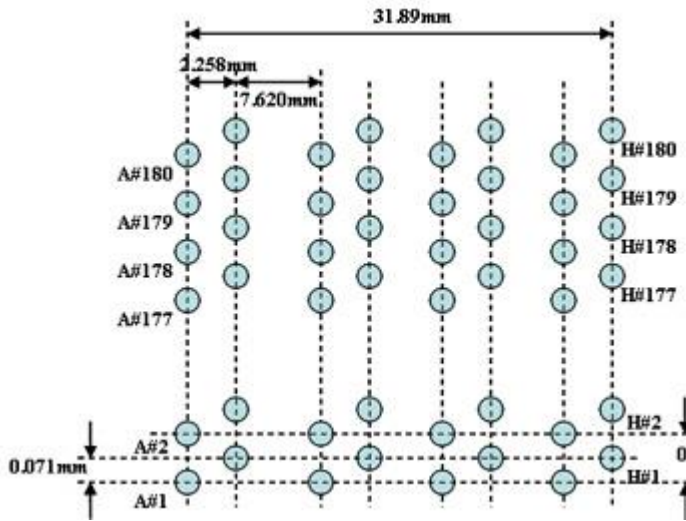
64" Mutoh ValueJet 1604



### Epson 1440 Nozzle (180 Nozzle X 8 Line) Print Head

- Good Price Performance
- Easy Maintenance
- Light Weight





Side View

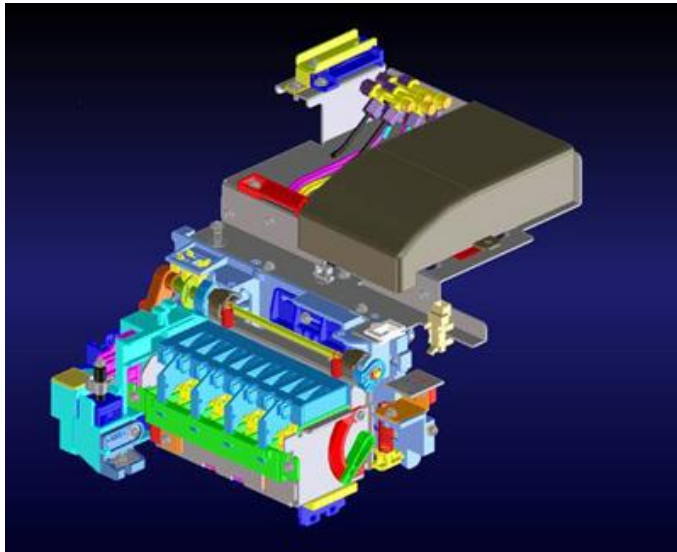


Top View

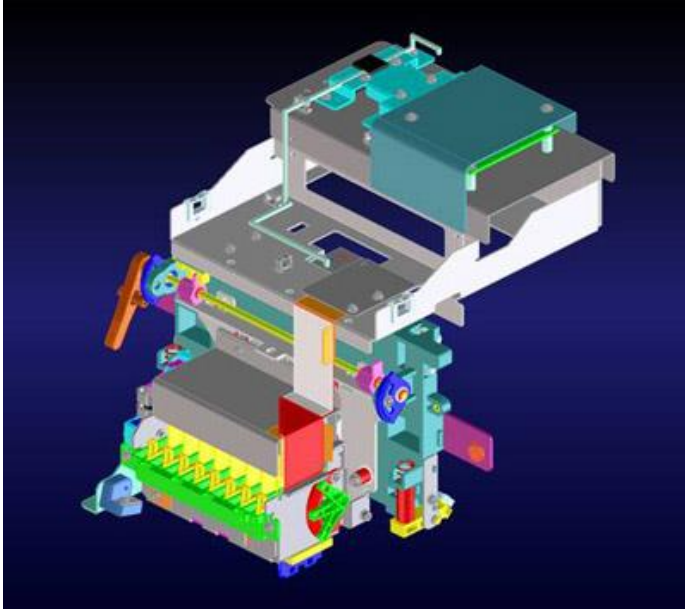


**PrismJet VJ or Mutoh ValueJet Carriage**

PrismJet VJ 48"

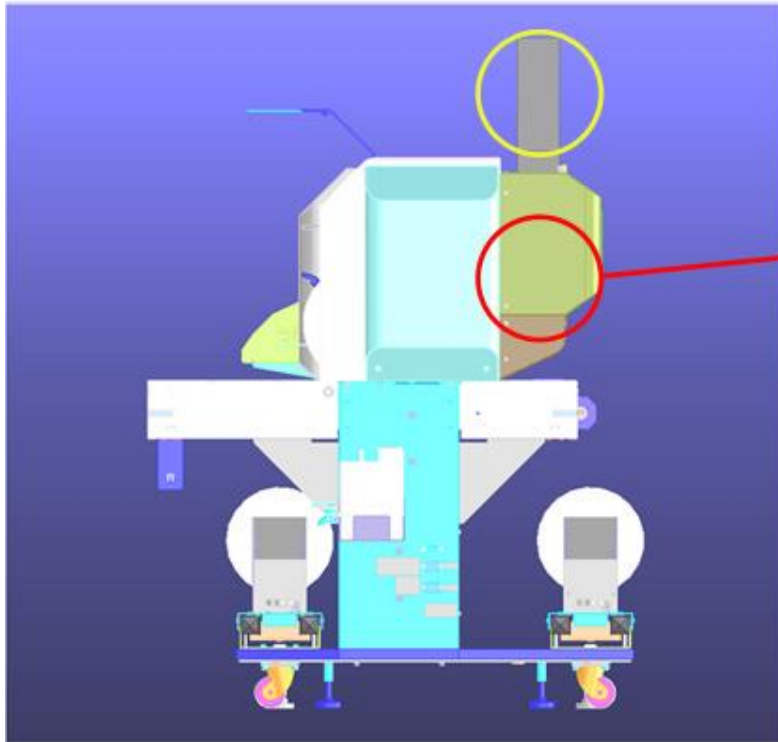


64" Mutoh ValueJet 1604



**SUB Bag (Tank) Ink System for 64" Mutoh ValueJet 1604**

Provides more flexibility for ink cassette allocation (yellow circle indicates location).



Sub Bag(Tank) INK System



Sub Bag (Tank)



SUB Bag (Tank) Ink System allows for more stable jetting as Water Head Value is stabilized and 100% ink usage is possible.

